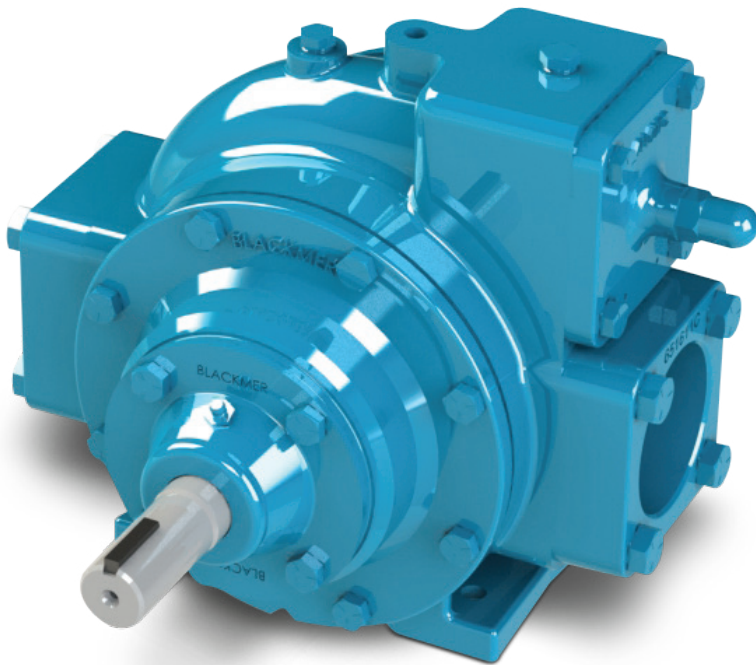
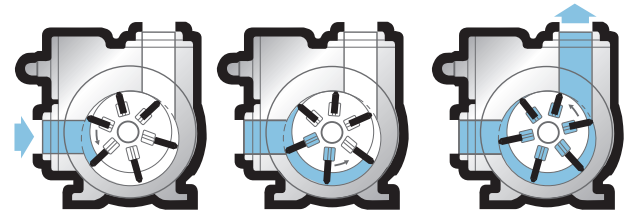




TXDI Series Truck Mounted Sliding Vane Pumps



TXDI Series



How Blackmer's sliding vane action works



TXD models are equipped with FKM O-rings and Blackmer mechanical seals that are compatible with all biodiesel and ethanol blends. TXD options include corrosion resistant relief valve, pneumatic relief valves and Buna or PTFE elastomers and seals.

Reliability

Durable pumps for fast and quiet operation. Sliding vane design provides sustained performance and trouble free operation.

Unique Features

Adjustable relief valve protects pump from excessive pressure. Optional air operated relief valve offers easy hose and nozzle handling. T-type strainers are available to protect pumping systems from damage caused by welding slag and foreign matter in the piping and tanks.

Sizing Options

Available in 2, 2.5, 3, and 4-inch port sizes with flow rates from 20 to 500 U.S. gallons (4.5 to 113 m³/h) and pressures up to 125 psi (8.6 bar).

Applications

- Fuel oil delivery truck
- Fuel Transports
- Fleet refueling
- Lube oil
- Aviation refuelers
- Transport of:
 - Petro chemicals
 - Gasoline
 - Biofuels
 - Solvents
 - and many more

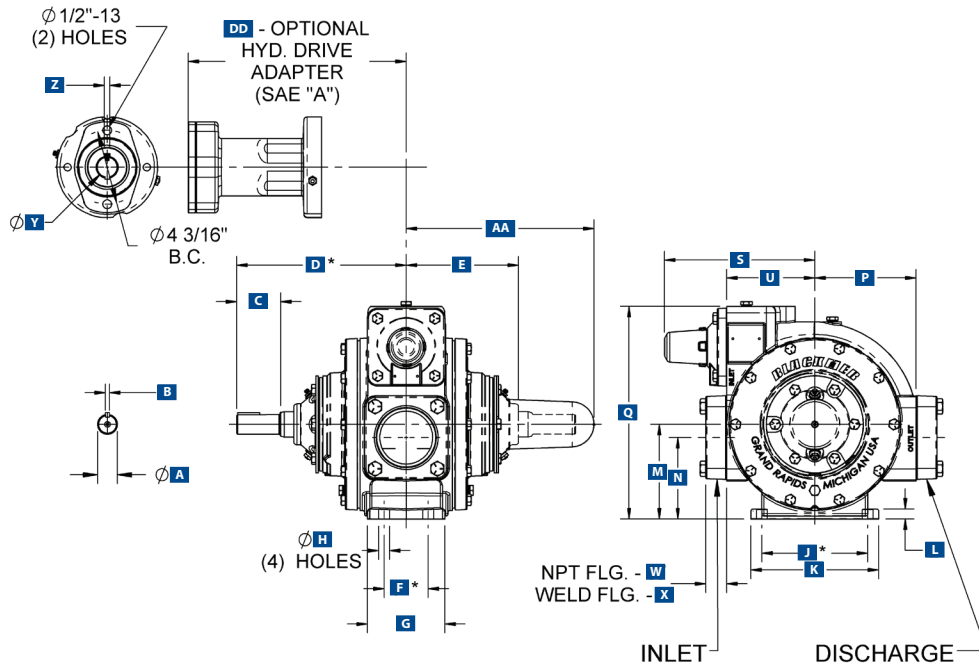


TXDI Series Truck Mounted Sliding Vane Pumps

Performance Data*

Pump Model	TXDI2A				TXDI2.5A				TXDI3A				TXI4A				
Rated Pump Speed (rpm)	640	520	420	350	640	520	420	350	640	520	420	350	500	400	300	230	190
U.S. gpm	70	55	44	36	121	96	76	63	270	220	177	146	507	404	299	225	190
L/min	264	210	165	135	461	363	288	237	1023	835	671	544	1919	1532	1135	855	695
hp	3.2	2.6	2.0	1.7	4.7	3.7	2.9	2.4	11.2	8.5	6.5	5.2	20.8	15.9	11.5	8.6	7.0

* Approximate capacities and horsepower (HP) are based on a 100 ssu (22 cSt) fluid at a 50 psi (3.45 bar) differential pressure. Refer to Characteristic Curves for capacities and horsepower at other pressures and viscosities. Centipoise (cP) = Centistokes (cSt) at fluid specific gravity of 1.0



Pump Model	Pump Weight	With NPT Flanges	With Weld Flanges
TXDI2A	65 lbs	70 lbs	71 lbs
	29 kg	32 kg	32 kg
TXDI2.5A	85 lbs	91 lbs	90 lbs
	39 kg	41 kg	41 kg
TXDI3A	139 lbs	147 lbs	146 lbs
	63 kg	67 kg	66 kg
TXI4A	288 lbs	292 lbs	311 lbs
	131 kg	132 kg	141 kg

Pump Model	A	B	C	D	E	F	G	H	J	K	L	M	N	P	Q	S	U	W	X	Y	Z	AA	DD	
TXDI2A	in.	1 1/8	1/4	2 1/4	8	5 1/4	1 5/8	3 1/2	7/16	5	6 9/16	1/2	4	3 1/2	-	8 7/8	6 1/16	4	3/4	1 3/16	1 1/4	5/16	8 3/4	10 7/8
	mm	-	-	57.2	203.2	133.4	41.3	88.9	11.1	127	166.7	12.7	101.6	88.9	-	225.4	154	101.6	19.1	30.2	31.8	7.9	222.3	276.2
TXDI2.5A	in.	1 1/8	1/4	2 1/4	8 3/4	6	3	4 7/8	7/16	5 1/2	7 3/16	5/8	4	3 3/4	-	9 13/16	6 13/16	4 5/16	1 3/16	1 1/4	1 1/4	5/16	9 1/2	11 5/8
	mm	-	-	57.2	222.3	152.4	76.2	123.8	11.1	139.7	182.6	15.9	101.6	95.3	-	249.2	173	109.5	30.2	31.8	31.8	7.9	241.3	295.3
TXDI3A	in.	1 1/8	1/4	2 1/2	9 5/8	6 3/8	2 1/2	4 3/8	5/8	6	7 1/4	1/2	5 3/8	4 5/8	5 3/4	12 1/16	8 9/16	5	1 1/8	1 3/16	1 1/4	5/16	10 11/16	12 3/8
	mm	-	-	63.5	244.5	161.9	63.5	111.1	15.9	152.4	184.2	12.7	136.6	117.5	146.1	306.4	217.5	127	28.6	30.2	31.8	7.9	215	314.3
TXI4A	in.	1 1/2	3/8	2 15/16	11	8 1/6	4 1/2	7	5/8	8	9 1/2	5/8	6 3/8	5	-	15 9/16	10 9/16	7 3/8	1 3/8	3	-	-	-	-
	mm	-	-	74.6	279.4	204.8	114.3	177.8	15.9	203.2	241.3	15.9	161.9	127	-	395.3	268.3	187.3	34.9	76.2	-	-	-	-

Note: Please refer to Blackmer catalog Dimension Sheets for optional jacketed head dimensions and NPT, weld neck, or ANSI compatible companion flange dimension.



Authorized PSG® Partner:

Process | Energy | Military & Marine
PSG Grand Rapids
1809 Century Avenue SW, Grand Rapids, MI 49503-1530 USA
T 616.241.1611 • F 616.241.3752
blackmer.com