



THIS IS CONFIDENTIAL INFORMATION.  
THIS DRAWING AND DESIGN IS THE PROPERTY OF LIQUIP INTERNATIONAL PTY LIMITED.  
IT MUST NOT BE COPIED OR REPRODUCED IN ANY WAY WHATSOEVER AND/OR PASSED ON  
TO ANY THIRD PARTY WITHOUT WRITTEN AUTHORITY.

LIQUIP INTERNATIONAL PTY LIMITED - ENGINEERING DEPARTMENT - 13 HUME RD SMITHFIELD SYDNEY NSW AUSTRALIA 2164  
PH: +61 2 9725 9000 FAX: +61 2 9609 4739 EMAIL: engineering@liquip-nsw.com.au

## LIQUIP - DRY BREAK BOTTOM LOADING VALVE

### DATA SHEET

Part No: API49XD

- TITLE:** API adaptor, pull down handle, Manual Operation.
- PURPOSE:** Bottom loading and discharge adaptor conforming to API RP1004. Models include sight glass &/or drain boss. It also has 2 sets of mounts to match industry - standard air interlock valve, Liquip Model AIV 3. Two piece body with replaceable nosecone.
- OPERATION:** Spring loaded poppet opened by handle for discharge or API coupler for bottom loading. For safety, handle does not move when coupler actuates poppet. Handle is a "pull-down-to-open" design. When used, it rotates an internal cam to open the poppet. The cam has two stage opening feature using over the centre principle to hold poppet in open position. Dual o-ring seals on shaft prevent leaks.
- PERIODIC SERVICE:** No set period. Service as required
- VARIANTS:** API490D - complete with sight glass, no drain.  
API491D - no sight glass or drain.  
API496D - complete with sight glass & drain.  
API497D - no sight glass, with drain
- TECHNICAL DATA:** 100mm bore all through for minimum pressure drop. 52mm poppet travel. Electrical continuity guaranteed by use of non-anodised nose cone. Flange is gramophone finish for improved sealing.
- WEIGHT:** 4.8kg
- MOUNTING:** Flange is 100mm TTMA standard. Mount so that when viewed from the front, the handle is on the right hand side.
- MATERIAL:** Aluminium body and poppet  
Stainless steel shafts  
Viton o-rings.

*Overall dimensions shown on drawing overleaf*

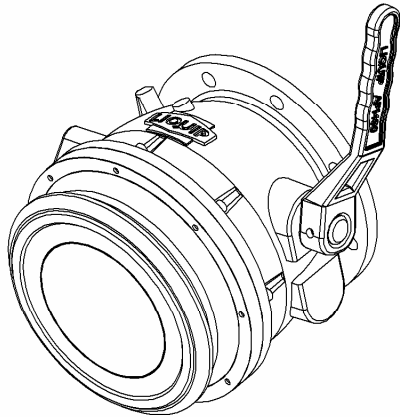


THIS IS CONFIDENTIAL INFORMATION.  
THIS DRAWING AND DESIGN IS THE PROPERTY OF LIQUIP INTERNATIONAL PTY LIMITED.  
IT MUST NOT BE COPIED OR REPRODUCED IN ANY WAY WHATSOEVER AND/OR PASSED ON  
TO ANY THIRD PARTY WITHOUT WRITTEN AUTHORITY.

LIQUIP INTERNATIONAL PTY LIMITED - ENGINEERING DEPARTMENT - 13 HUME RD SMITHFIELD SYDNEY NSW AUSTRALIA 2164  
PH: +61 2 9725 9000 FAX: +61 2 9609 4739 EMAIL: engineering@liquip-nsw.com.au

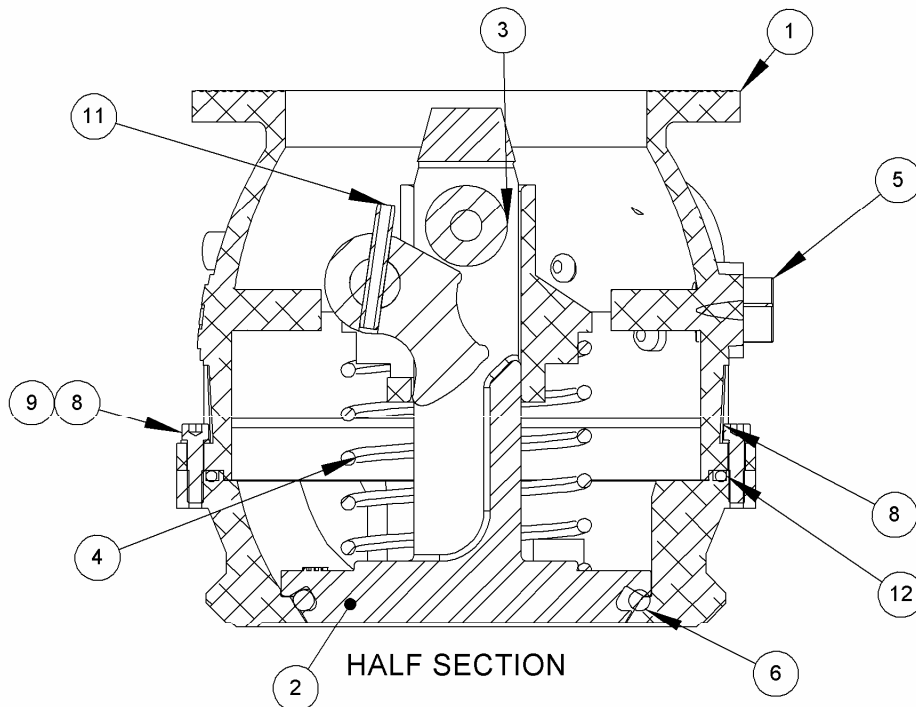
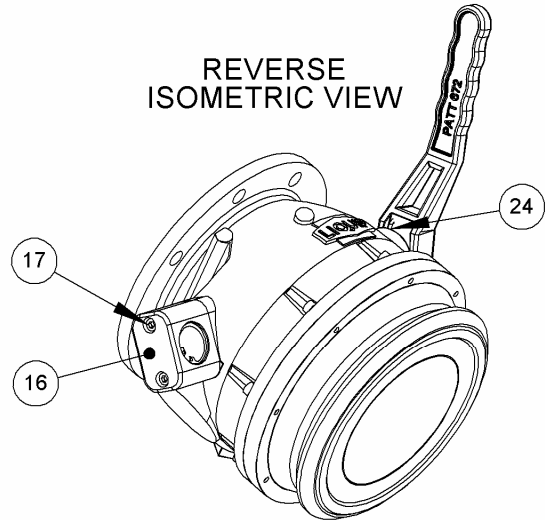
# LIQUIP

## API49XD SERIES



ISOMETRIC VIEW

REVERSE  
ISOMETRIC VIEW



HALF SECTION

X200007  
ISSUE: C

METERS - VALVES - VENTS - MANHOLES - PUMPS - HOSEREELS - OVERFILL PROTECTION - LOADING ARMS - ELECTRONIC DIPSTICKS



LIQUIP INTERNATIONAL PTY LTD  
13 Hume Road  
Smithfield, 2164  
Sydney NSW Australia  
Phone: +612 9725 9000  
Fax: +612 9725 1252

DISTRIBUTORS  
See inside front cover  
for Liquip branches  
and Distributors

[www.liquip.com](http://www.liquip.com)

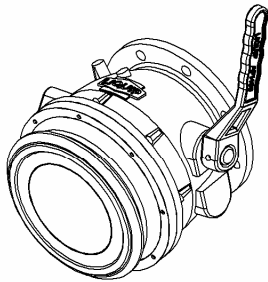


THIS IS CONFIDENTIAL INFORMATION.  
 THIS DRAWING AND DESIGN IS THE PROPERTY OF LIQUIP INTERNATIONAL PTY LIMITED.  
 IT MUST NOT BE COPIED OR REPRODUCED IN ANY WAY WHATSOEVER AND/OR PASSED ON  
 TO ANY THIRD PARTY WITHOUT WRITTEN AUTHORITY.

LIQUIP INTERNATIONAL PTY LIMITED - ENGINEERING DEPARTMENT - 13 HUME RD SMITHFIELD SYDNEY NSW AUSTRALIA 2164  
 PH: +61 2 9725 9000 FAX: +61 2 9609 4739 EMAIL: engineering@liquip-nsw.com.au

# LIQUIP

## API49XD SERIES



X200007  
 ISSUE: C

ITEM NO.	PART NUMBER	DESCRIPTION	API490D	API491D	API496D	API497D	MATERIAL
1	API496-1D	BODY	-	-	1	-	CO665, ALUMINIUM
2	API490-3	POPPET VALVE DRY BREAK	1	1	1	1	CAST ALUM
3	7876	BEARING DEEP GROOVE 10x26x8	1	1	1	1	ST STEEL
4	6168	SPRING COMPRESSION	1	1	1	1	ST STEEL
5	0614	PLUG BSP HEX	-	-	1	1	STEEL
6	0289	O-RING	1	1	1	1	VITON B70
7	API490-2	NOSE CONE	1	1	1	1	CO666, ALUMINIUM
8	6502	CAPSCREW METRIC	8	8	8	8	STEEL
9	6498	WASHER SPRING	10	8	10	8	STEEL
10	0813	WASHER FLAT	2	2	2	2	ST STEEL
11	6716	SELOX PIN	1	1	1	1	ST STEEL
12	0155	O-RING	1	1	1	1	VITON
13	5725	BALL INDICATOR	1	-	1	-	HPDE
14	7536	O-RING	2	-	2	-	VITON
15	55013	SELOX PIN	1	1	1	1	ST STEEL
16	API490-16	BODY	1	-	1	-	ALUMINIUM
17	6740	CAPSCREW METRIC	2	-	2	-	ST STEEL
18	API490-4	CAM FOR OPENING	1	1	1	1	ST STEEL
19	0235	O-RING	2	2	2	2	VITON
20	API490-17D	HANDLE FOR API490	1	1	1	1	ALUMINIUM
21	API490-5	SHAFT OPERATING	1	1	1	1	ST STEEL
22	7874	SIGHT GLASS	2	-	2	-	BORO SILICON
23	7595	O-RING	1	-	1	-	VITON
24	6173D	RETURN SPRING	1	1	1	1	ST STEEL
25	M27SS	CIRCLIP INTERNAL	2	-	2	-	ST STEEL
26	API490-18	PIN FOR ROLLER	1	1	1	1	STAINLESS STEEL
27	-	CIRCLIP EXTERNAL MET	1	1	1	1	ST STEEL
28	API491-1D	BODY	-	1	-	-	CO665, ALUMINIUM
29	API490-1D	BODY	1	-	-	-	CO665, ALUMINIUM
30	API497-1D	BODY	-	-	-	1	CO665, ALUMINIUM

METERS - VALVES - VENTS - MANHOLES - PUMPS - HOSEREELS - OVERFILL PROTECTION - LOADING ARMS - ELECTRONIC DIPSTICKS



LIQUIP INTERNATIONAL PTY LTD  
 13 Hume Road  
 Smithfield, 2164  
 Sydney NSW Australia  
 Phone: +612 9725 9000  
 Fax: +612 9725 1252

DISTRIBUTORS  
 See inside front cover  
 for Liquip branches  
 and Distributors  
  
[www.liquip.com](http://www.liquip.com)