

COAXIAL POWER TAKE-OFF

4.2.00.



Technical data: refer to the transmission application manual.

OUTPUT TORQUE:

30 kgm. for 3 bolt mtg. flange.

60 kgm. for female ISO 4 bolt mtg flange and flange for remote transmission.

100 kgm. for ZF Ecosplit AS-TRONIC gearboxes.

WEIGHT: kg. 2,1

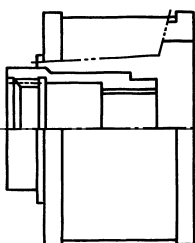
4.2.00.XX.00.0.0

BASIC SERIAL NUMBER _____

VERSION

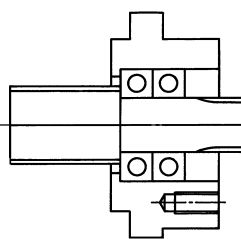
- 01** = ZF 4-120, 4-150 - FROM 5-50 TO 16-251 - AS-TRONIC - EATON TWINSPITTER - VOLVO R70, 1000, 1400, 1700 - SR70, 1400, 1700, 1900, 2000 - SRO2400 - VT
- 02** = ZF 5-35, 6-36, 6S850 - EATON RTS/RTSO 12316A, 17316A - IVECO 2845.5, 2845.6, 2855.6, 2865.6, 2895.9
- 03** = MERCEDES G3/36, 40, 45, 50, 55, 60, 61
- 04** = FOR SPLITTER GEARBOX PZB 3.4.2.5.-3.4.2.6.
- 05** = MERCEDES G/GV4
- 06** = VOLVO R51-R/SR52
- 07** = VOLVO R/MR/SR61, 62 - MR62B
- 08** = FOR MOUNTING TO VOLVO DBKUH ORIGINAL PTO
- 09** = MAN - VOLKSWAGEN 007.1
- 11** = TATRA
- 12** = MERCEDES G60
- 13** = MERCEDES G125, 135, 155, 180, 200, 210, 211, 240, 260
- 14** = MERCEDES G100
- 15** = FOR MOUNTING TO MERCEDES NB1 PTO
- 16** = MERCEDES EURO 2
- 17** = MERCEDES G56-6

BASIC PTO

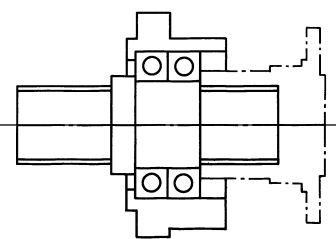


Direct mounting ISO 4 bolt flange
4.2.00.XX.0000

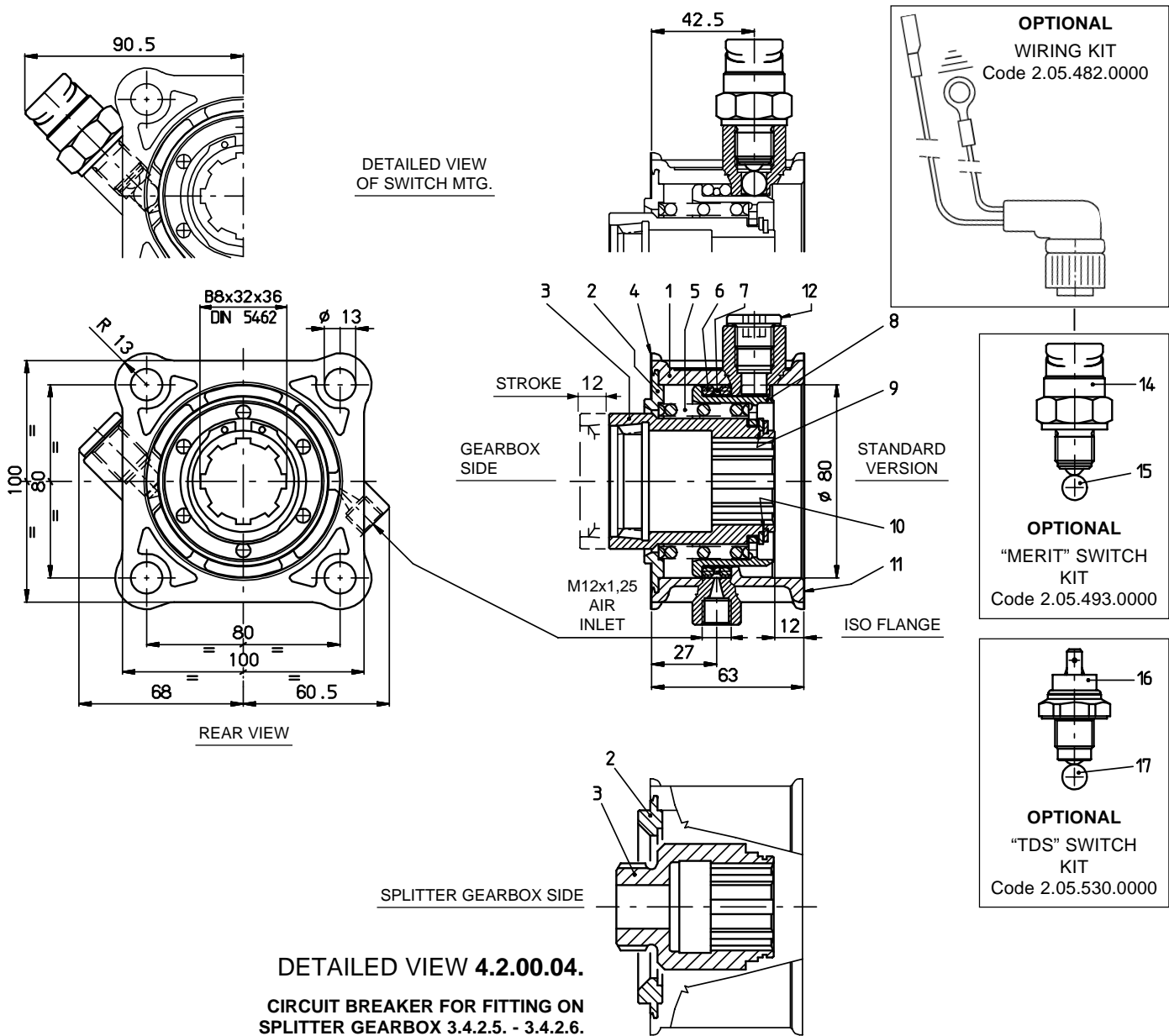
OUTPUT OPTIONS



Direct mounting PZB pumps-3 bolt flange
3.5.2.003.X.X.0.0



For remote transmission
3.5.2.029.0.X.X.0



DETAILED VIEW 4.2.00.04.
CIRCUIT BREAKER FOR FITTING ON
SPLITTER GEARBOX 3.4.2.5. - 3.4.2.6.

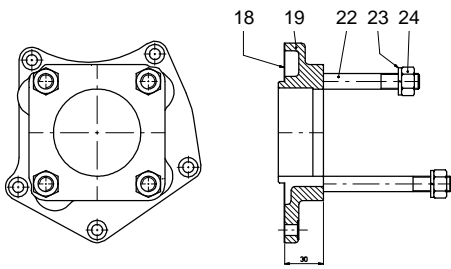
THE DRAWING SHOWS: 4.2.00.01 (ISO A) FOR GEARBOXES ZF 4-120, 4-150 - FROM 5-50 TO 16-251 - AS-TRONIC - EATON TWINSPLITTER
 4.2.00.02 (ISO B) FOR GEARBOXES ZF 5-35, 6-36, 6S850 - EATON RTS/RTSO 12316A, 17316A - IVECO 2845.5, 2845.6, 2855.6, 2865.6, 2895.9 - VOLVO R70, 1000, 1400, 1700 - SR70, 1400, 1700, 1900, 2000 - SRO2400

REF.	CODE	DESCRIPTION	QT.
1	1.09.01.053.00	Body	1
2	1.27.02.098.00	Centering ring	1
	1.27.02.121.00	Centering ring (PTO 4.2.00.04)	
3	1.17.02.036.00	Splined sleeve (PTO 4.2.00.01)	1
	1.17.02.039.00	Splined sleeve (PTO 4.2.00.02)	
	1.17.02.106.00	Splined sleeve (PTO 4.2.00.03/17)	
	1.17.02.064.00	Splined sleeve (PTO 4.2.00.04/08)	
	1.17.02.041.00	Splined sleeve (PTO 4.2.00.05/14)	
	1.17.02.042.00	Splined sleeve (PTO 4.2.00.06)	
	1.17.02.043.00	Splined sleeve (PTO 4.2.00.07)	
	1.17.01.034.00	Splined sleeve (PTO 4.2.00.09)	
	1.17.02.108.00	Splined sleeve (PTO 4.2.00.11)	
	1.17.02.107.00	Splined sleeve (PTO 4.2.00.12)	
	1.17.02.105.00	Splined sleeve (PTO 4.2.00.13/16)	
	1.17.02.101.00	Splined sleeve (PTO 4.2.00.15)	
4	1.29.01.014.00	Gasket PTO/gearbox	1
	1.29.01.014.00	Gasket PTO/gearbox (PTO 4.2.00.15)	2

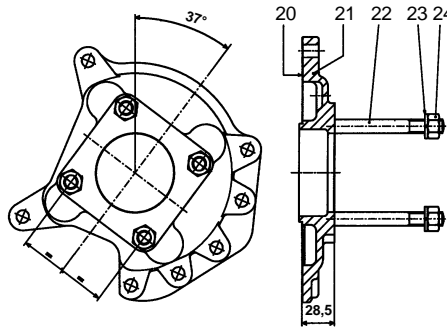
REF.	CODE	DESCRIPTION	QT.
5	1.28.01.075.00	Coil spring	1
6	0.08.02.086.00	O-Ring OR 6275	2
	0.08.02.133.00	O-Ring OR 6275 polyacrylic (PTO 4.2.00.01/02)	
7	0.08.02.155.00	O-Ring OR 3256	1
8	1.21.02.050.00	Piston	1
9	1.26.01.085.00	Spacer	1
10	0.07.01.016.00	Circlip 42e UNI 7435	1
11	1.29.01.013.00	Gasket 735A/6 (No for PTO 4.2.00.15)	1
12	0.12.01.104.00	Oil plug with gasket TCNB 16.15	1
OPTIONAL: "MERIT" SWITCH KIT CODE 2.05.493.0000			
14	0.99.00.290.00	Switch MERIT	1
15	0.11.01.003.00	Ball 13/32"	1
OPTIONAL: "TDS" SWITCH KIT CODE 2.05.530.0000			
16	0.99.00.291.00	Switch TDS	1
17	0.11.01.003.00	Ball 13/32"	1

**THE SHOWN ADAPTORS ARE SUPPLIED WITH THE PTO,
ACCORDING TO THE GEARBOX MODEL**

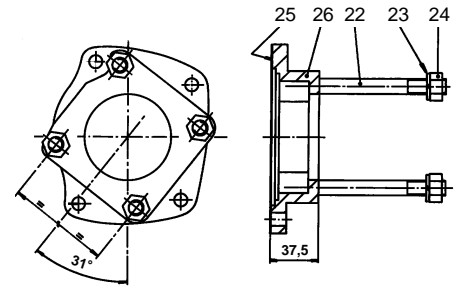
MERCEDES G3/36, 40, 45, 50, 55, 60, 61



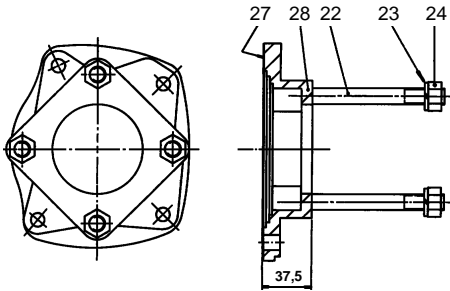
MERCEDES G/GV4



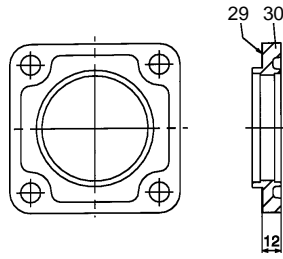
VOLVO R51 - R/SR52



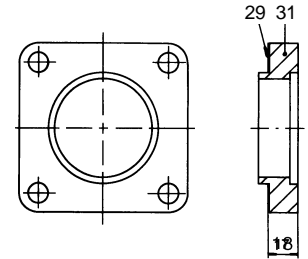
VOLVO R/MR/SR61, 62 - MR62B



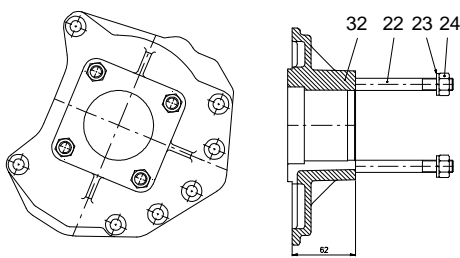
VOLVO DBKUH ORIGINAL PTO



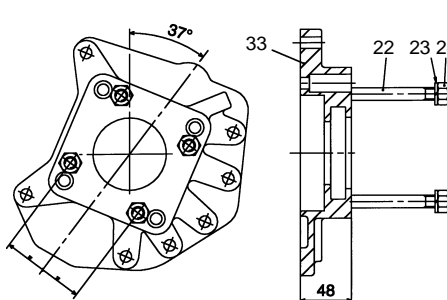
MAN-VOLKSWAGEN 007.1



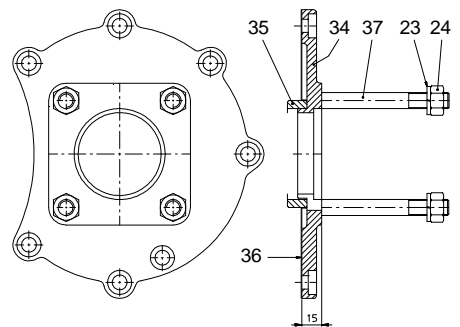
**MERCEDES G125, 135, 155, 180, 200,
210, 211, 240, 260**



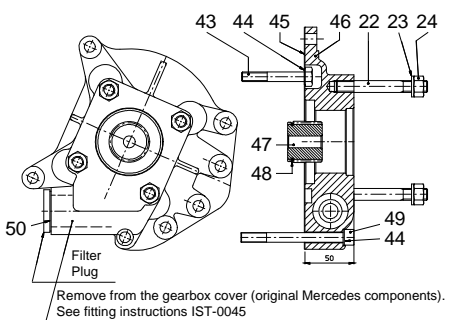
MERCEDES G100



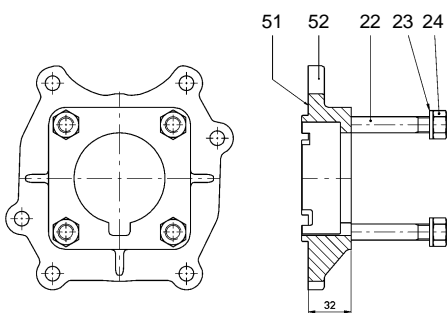
MERCEDES G60



MERCEDES EURO 2

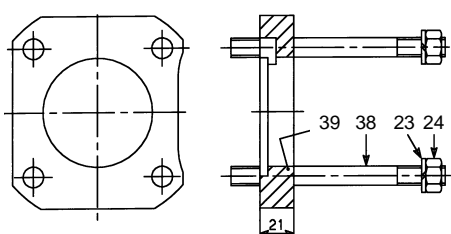


MERCEDES G56-6

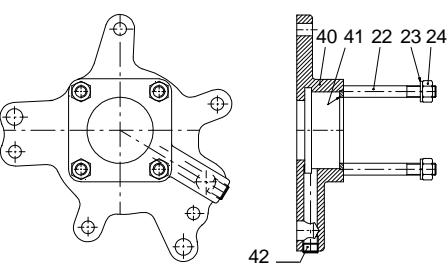


**THE SHOWN ADAPTORS ARE SUPPLIED WITH THE PZB PTO,
TO ALLOW THE FITTING TO PTO MODEL OF OTHER MAKES**

MERCEDES NB1



TATRA



REF.	CODE	DESCRIPTION	QT.
18	1.29.01.132.00	Gasket PTO/gearbox	1
19	1.07.01.185.00	Adapter Mercedes G3 gearbox	1
20	1.29.01.119.00	Gasket PTO/gearbox	1
21	1.07.01.117.00	Adapter Mercedes G125-155-180 g.box	1
22	0.02.02.030.00	Stud M12x95 UNI 5911	4
23	0.04.02.004.00	Lockwasher 13 UNI 1751	4
24	0.03.01.019.00	Hex nut M12 ch. 17	4
25	1.29.01.046.00	Gasket PTO/gearbox	1
26	1.07.01.013.00	Adapter Volvo R5 gearbox	1
27	1.29.01.017.00	Gasket PTO/gearbox	1
28	1.07.01.008.00	Adapter Volvo R6 g.box/pto ISO 749A/1	1
29	1.29.01.014.00	Gasket PTO/gearbox	2
30	1.07.01.131.00	Filler block 4-bolt thickness 11,5	1
31	1.07.01.040.00	Filler block ISO 4-bolt thickness 16,8	1
32	1.07.01.184.00	Adapter Mercedes G125-135-155 g.box	1
33	1.07.01.173.00	Adapter Mercedes G100 gearbox	1
34	1.07.01.187.00	Adapter Mercedes G60 G85 gearbox	1
35	1.27.02.153.00	Centering ring	1
36	1.29.01.133.00	Gasket PTO/gearbox	1
37	0.02.01.012.00	Stud M12x95 UNI 5909	4
38	0.02.02.008.00	Stud M12x115 UNI 5911	4
39	1.07.02.042.00	Filler block	1
40	1.07.01.186.00	Adapter Tatra gearbox	1
41	1.27.02.152.00	Centering ring	1
42	0.12.01.020.00	Plug M16x1,5	1
43	0.01.01.096.00	Capscrew TE M10x65 UNI	4
44	0.04.04.001.00	Schnorr 1	5
45	1.29.01.137.00	Gasket PTO/gearbox	1
46	1.07.01.195.00	Adapter Mercedes Euro 2 gearbox	1
47	1.17.03.022.00	Splined sleeve	1
48	1.99.00.331.00	Circlip	1
49	0.01.03.100.00	Capscrew TCEI M10x105	1
50	0.04.01.161.00	Washer 38.5	1
51	1.29.01.510.00	Gasket PTO/gearbox	1
52	1.07.01.518.00	Adapter Mercedes G56-6 gearbox	1