



THIS IS CONFIDENTIAL INFORMATION.
THIS DRAWING AND DESIGN IS THE PROPERTY OF LIQUIP INTERNATIONAL PTY LIMITED.
IT MUST NOT BE COPIED OR REPRODUCED IN ANY WAY WHATSOEVER AND/OR PASSED ON
TO ANY THIRD PARTY WITHOUT WRITTEN AUTHORITY.

LIQUIP INTERNATIONAL PTY LIMITED - ENGINEERING DEPARTMENT - 13 HUME RD SMITHFIELD SYDNEY NSW AUSTRALIA 2164
PH: +61 2 9725 9000 FAX: +61 2 9609 4739 EMAIL: engineering@liquip-nsw.com.au

PRESSURE & VACUUM VENT

DATA SHEET

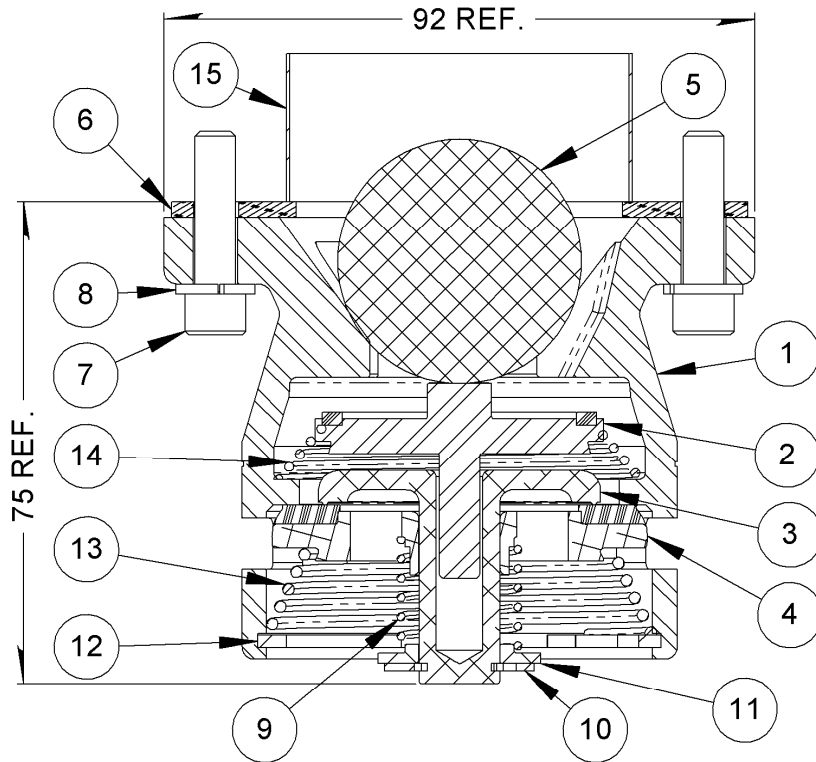
**PART No: PVV104
PVV104U**

TITLE:	Pressure & vacuum relief vent for road tankers incorporating roll-over protection.	
OPERATION:	To prevent the build up of pressure & vacuum caused by expansion, contraction and tanker movement.	
FEATURES:	The PVV range of vents as listed below, are mounted inside the tank either on the manhole or on a separate flange. There are various designs, but all allow excess pressure & vacuum to be equalised through a gauzed flame proof opening and all have roll-over protection ensuring compartment is sealed if tilted more than 60° from vertical.	
DISMANTLE:	Remove circlip from bottom to allow pressure & vacuum poppet to be removed. Wind out rollover spring to remove rollover poppet.	
ADJUSTMENT:	None	
MOUNTING:	Specify where the vent is to be mounted ie (i) on VOH400 series hatch (ii) on VOH200 & VOH700 series hatches (iii) on SH300 series swing back hatches (iv) on remote weld flange & Liquip will supply the complete kit	
TECHNICAL DATA:	Aluminium body & poppets. Stainless steel springs. Bonded nitrile seals. Nylon coated bronze ball. Weight: 0.6kg.	
	<u>PVV104 (Australia/NZ)</u> Pressure: Opens at 16±1kPa Vacuum: Opens at 2±1kPa Capacity: 98m ³ /hr free air at 35kPa Locks shut at 60° from vertical Approved to AS2809-1990 PVV104 is identified by the free air bleed hole in the body.	<u>PVV104U (UK & USA)</u> Pressure: Opens at 10±1kPa Vacuum: Opens at 2±0.4kPa Capacity: 91m ³ /hr free air at 30kPa Locks shut at 60° from vertical Approved to NFPA385 and UK requirements. PVV104U has no bleed hole and a very distinctive full circle marker groove around the body.
ASSOCIATED EQUIPMENT:	VOH400 series hatch VOH200 & VOH700 series hatches SH300 series swing back hatches	

Overall dimensions shown on the drawing overleaf.

LIQUIP

PVV104 & PVV104U



SEE DATASHEET X952196
 FOR MOUNTING OPTIONS

ITEM NO.	PART NUMBER	DESCRIPTION	PVV104	PVV104U	MATERIAL
1	PVV104-1	BODY - WITH HOLE	1	-	ALUMINIUM
1	PVV104-1U	BODY - WITH GROOVE	-	1	ALUMINIUM
2	PVV104-7	ROLLOVER POPPET	1	1	ALUMINIUM
3	PVV104-8	PRESSURE POPPET	1	1	ALUMINIUM
4	PVV104-9	VACUUM POPPET	1	1	ALUMINIUM
5	PVV104-13	BALL Ø38	1	1	BRONZE
6	4250	GASKET FOR PVV	1	1	NEO-CORK
7	0714	CAPSCREW IMPERIAL	2	2	STEEL
8	0107	WASHER SPRING	2	2	STEEL
9	4420	SPRING COMPRESSION	1	-	ST STEEL
9	6109	SPRING COMPRESSION	-	1	ST STEEL
10	0096	E-CLIP IMPERIAL	1	1	STEEL
11	PVV104-3	SPRING RETAINER	1	1	ALUMINIUM
12	4347	CIRCLIP INTERNAL	1	1	STEEL
13	4419	SPRING COMPRESSION	1	1	ST STEEL
14	4421	SPRING COMPRESSION	1	1	ST STEEL
15	VOH700-19	SPARK ARRESTOR	1	1	ST STEEL
16	6436	INSTRUCTION LEAFLET	1	1	PAPER

X952096

Issue: H

METERS - VALVES - VENTS - MANHOLES - PUMPS - HOSEREELS - OVERFILL PROTECTION - LOADING ARMS - ELECTRONIC DIPSTICKS



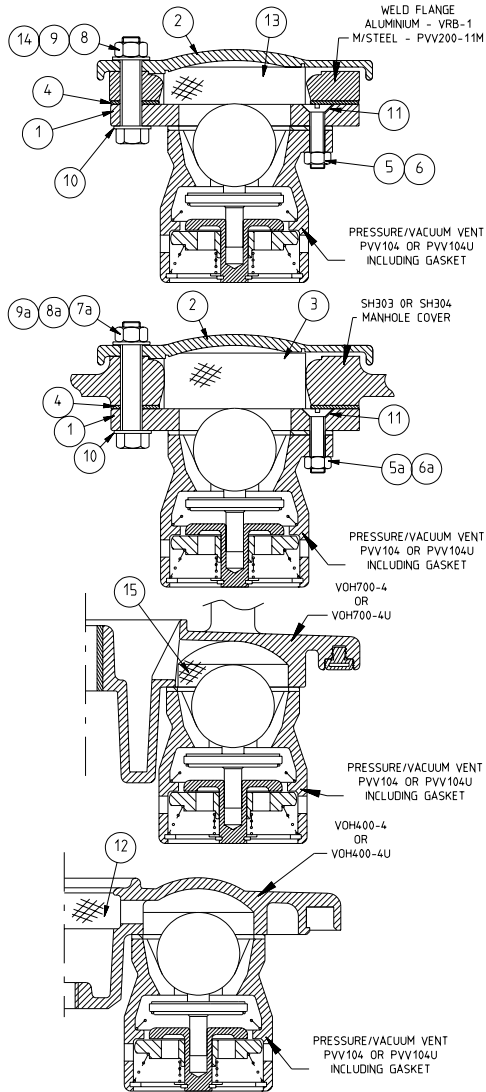
LIQUIP INTERNATIONAL PTY LTD
 13 Hume Road
 Smithfield, 2164
 Sydney NSW Australia
 Phone: +612 9725 9000
 Fax: +612 9725 1252

DISTRIBUTORS
 See inside front cover
 for Liquip branches
 and Distributors

www.liquip.com

LIQUIP

PVV104 & PVV104U MOUNTING



REQUIRED TO MOUNT TO WELD FLANGE

ITEM NO	PART NO	DESCRIPTION	MATERIAL	QTY/ASS
1	PVV104-10	ADAPTOR FLANGE REMOTE MOUNT	ALUMINIUM	1
2	PVV104-11	WEATHER COVER REMOTE MOUNT	ALUMINIUM	1
4	0658	GASKET	NEOCORK	1
5	0721	SCREW COUNTERSUNK	STEEL	2
6	0148	NUT HALF NYLOC	STEEL	2
8	0149	NUT NYLOC	STEEL	3
9	0101	WASHER FLAT	STEEL	3
10	4341	WASHER FIBRE RED	FIBRE	3
11	4358	WASHER FIBRE RED	FIBRE	2
13	PVV104-12	SPARK ARRESTOR GAUZE REMOTE MOUNT	ST STEEL	1
14	0014	BOLT HEX HEAD	STEEL	3

REQUIRED TO MOUNT TO SH303 AND SH304 (ORDER AS PVV104Z)

ITEM NO	PART NO	DESCRIPTION	MATERIAL	QTY/ASS
1	PVV104-10	ADAPTOR FLANGE REMOTE MOUNT	ALUMINIUM	1
2	PVV104-11	WEATHER COVER REMOTE MOUNT	ALUMINIUM	1
3	PVV104-6	SPARK ARRESTOR GAUZE	STEEL	1
4	0658	GASKET	NEOCORK	1
5a	6564	SCREW COUNTERSUNK	ST STEEL	2
6a	0796	NUT GLENLOCK	ST STEEL	2
7a	6565	BOLT HEX HEAD	ST STEEL	3
8a	4383	NUT GLENLOCK	ST STEEL	3
9a	0811	WASHER FLAT	ST STEEL	3
10	4341	WASHER FIBRE RED	FIBRE	3
11	4358	WASHER FIBRE RED	FIBRE	2

REQUIRED TO MOUNT TO VOH700-4 AND VOH700-4U (NORMALLY SUPPLIED WITH MANHOLE ASSEMBLY)

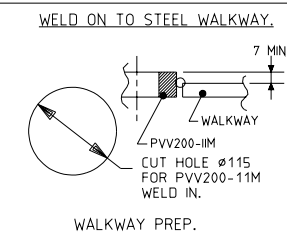
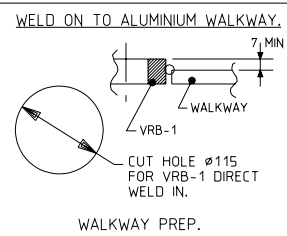
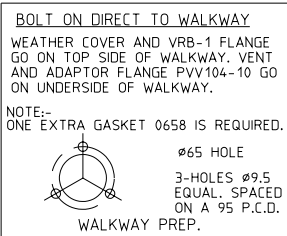
ITEM NO	PART NO	DESCRIPTION	MATERIAL	QTY/ASS
15	VOH700-19	SPARK ARRESTOR GAUZE REMOTE MOUNT	ST STEEL	1
* 16	0714	CAPSCREW	STEEL	2
* 17	0107	WASHER SPRING	STEEL	2

REQUIRED TO MOUNT TO VOH400-4 AND VOH400-4U (NORMALLY SUPPLIED WITH MANHOLE ASSEMBLY)

ITEM NO	PART NO	DESCRIPTION	MATERIAL	QTY/ASS
12	PVV104-4	SPARK ARRESTOR GAUZE	ST STEEL	1
* 16	0714	CAPSCREW	STEEL	2
* 17	0107	WASHER SPRING	STEEL	2

* ITEMS 16 & 17 INCLUDED WITH PVV104, PVV104U & PVV105
 LOCTITE SCREW INTO COVER

FOR PVV104 & PVV104U DETAILS SEE DATASHEET X952096



X952196

Issue: F

METERS - VALVES - VENTS - MANHOLES - PUMPS - HOSEREELS - OVERFILL PROTECTION - LOADING ARMS - ELECTRONIC DIPSTICKS



LIQUIP INTERNATIONAL PTY LTD
 13 Hume Road
 Smithfield, Sydney
 NSW Australia 2164
 Phone: +61 2 9725 9000
 Fax: +61 2 9725 1252

DISTRIBUTORS
 See inside front cover
 for Liquip branches
 and Distributors or visit
www.liquip.com