

BLACKMER PARTS LIST

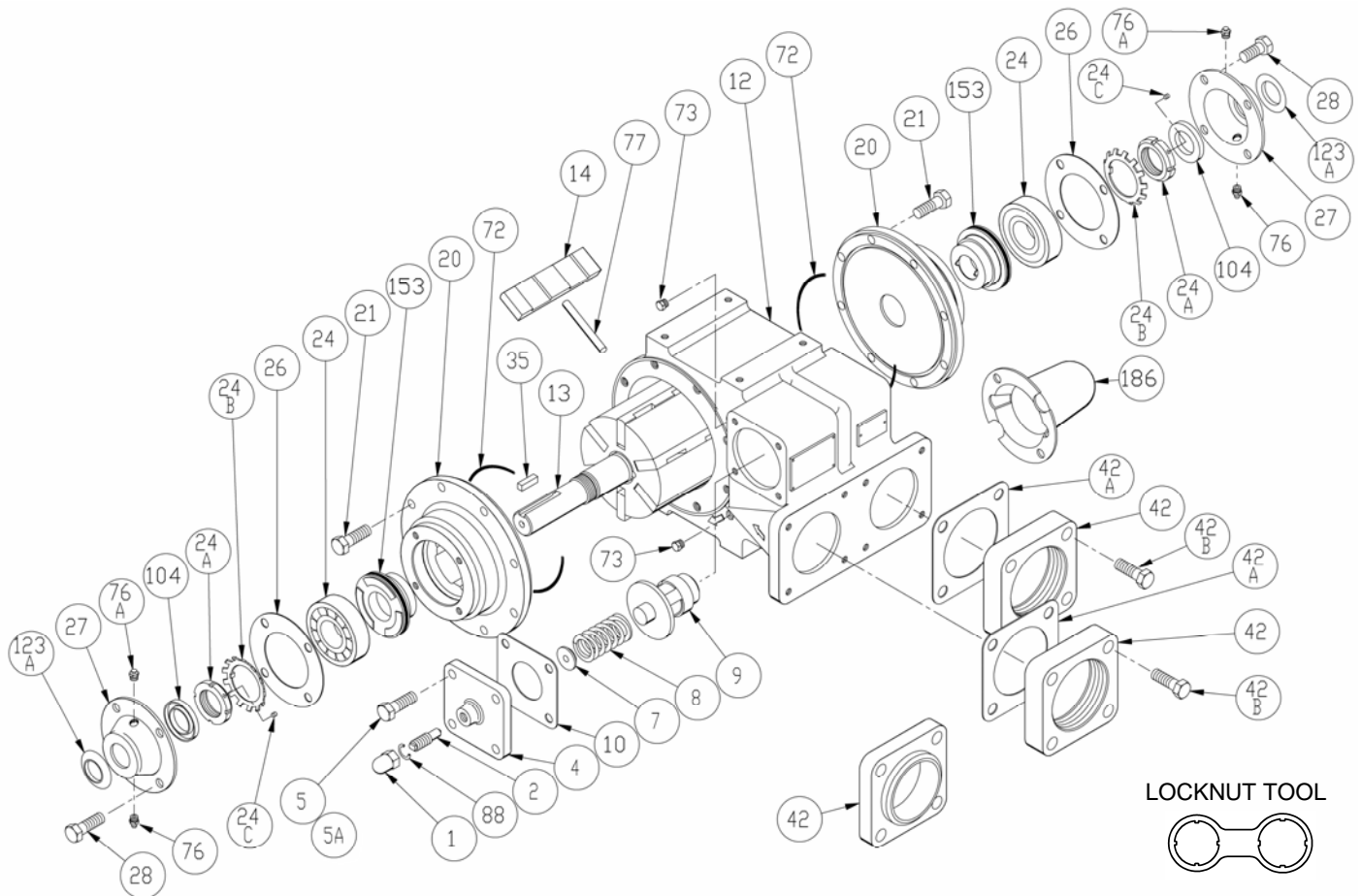
PUMP MODEL: TXH3C

961811
Page 1 of 2

PARTS LIST
201-C01

Keep with Instructions 201-C00 for Installation, Operation and Maintenance

Section 201
Effective Dec 2009
Replaces Apr 2009

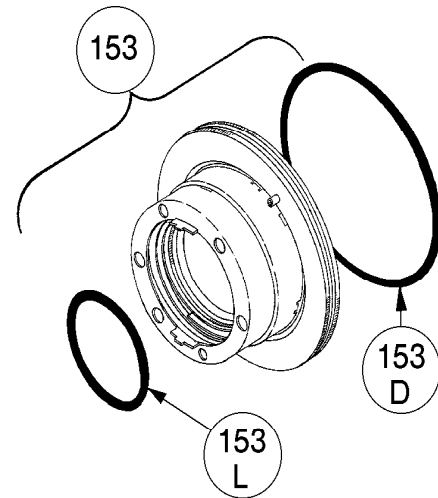


Ref. No.	Description	Parts per Pump	Part No.	Ref. No.	Description	Parts per Pump	Part No.
1	Cap – Relief Valve (R/V)	1	411453	24B	Lockwasher	2	903522
2	Adjusting Screw – Relief Valve	1	431401	24C	Setscrew – Locknut (in 24A)	2	924060
4	Cover – Relief Valve	1	411607	26	Gasket – Bearing Cover	2	383940
5	Capscrew – R/V Cover	3	920316	27	Bearing Cover	2	041431
5A	Capscrew w/ Hole – R/V Cover	1	920310	28	Capscrew – Bearing Cover	8	920285
7	Spring Guide – Relief Valve	1	423955	35	Key – Shaft	1	909209
8	Spring – Valve (51 –75 psi)	1	471631	42 –	Flanges, Flange Gaskets, and Flange Capscrews		See Backside
	Spring – Valve (76-110 psi)(Std.)		471631	42B			
	Spring – Valve (111-125 psi)		471614	72			
9	Relief Valve (Std.)	1	451623	73	Gage Plug	2	908198
	Relief Valve (Nickel Plated)		451624	76	Grease Fitting	2	317815
10	Gasket – R/V Cover	1	531603	76A	Grease Relief Fitting	2	701992
12	Cylinder – Pump	1	021825	77	Push Rod - Vane	3	121607
13	Rotor & Shaft Assembly, w/24A, 24B	1	261666	88	Gasket – Relief Valve Cap	1	701981
14	Vane – Duravane®	6	091619	104	Grease Seal	2	331918
20	Head	2	031425	123A	Dirt Shield	2	701480
21	Capscrew – Head	16	920331	186	Shaft Protector	1	341601
24	Ball Bearing	2	903156		Tool - Locknut		903091
24A	Locknut Assembly w/setscrew (24C)	2	903583		Air Valve Kit – Piston Type, FKM ²		891716

² For Piston Style Air Operated RV see IOM 201-G00 or 201-H00.

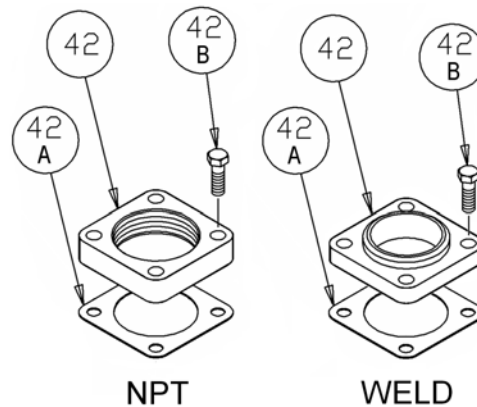
MECHANICAL SEALS

REF. NO.	PART NAME	PARTS PER PUMP	PART NO.
153	Mechanical Seal Complete - Cast Iron Stationary Seat, FKM O-Rings, Carbon Seal Face. (IVCV)	2	331655
153D	O-Ring - Stationary (FKM)	2	701921
153L	O-Ring - Rotating (FKM)	2	701980



FLANGES

REF. NO.	PART NAME	PARTS PER PUMP	PART NO.
42	Flange - 3" NPT	1 - 2	651803
	Flange - 3" Weld		655102
42A	Gasket - Flange	2	381816
42B	Capscrews - NPT Flange	4 - 8	920532
	Capscrews - Weld Flange		920510



OPTIONAL HYDRAULIC MOTOR ADAPTER

REF. NO.	PART NAME	PARTS PER PUMP	PART NO. 1-1/4" Hyd. Motor Shaft	PART NO. 1" Hyd. Motor Shaft
	Hydraulic Motor Adapter Kit		891458	891205
26A	Gasket - Hydraulic Motor Adapter	1	383940	383940
28A	Capscrew - Hydraulic Motor Adapter / Head	4	920369	920369
34	Coupling w/ Setscrew - for straight key hydraulic motor	1	906967	906966
35	Key - Coupling	1	909184	---
76	Grease Fitting	1	317815	317815
76A	Grease Relief Fitting	1	701992	701992
135	Hydraulic Motor Adapter - SAE A Flange	1	041828	041827
135A	Capscrew - Adapter / Motor	2	920510	920510

