

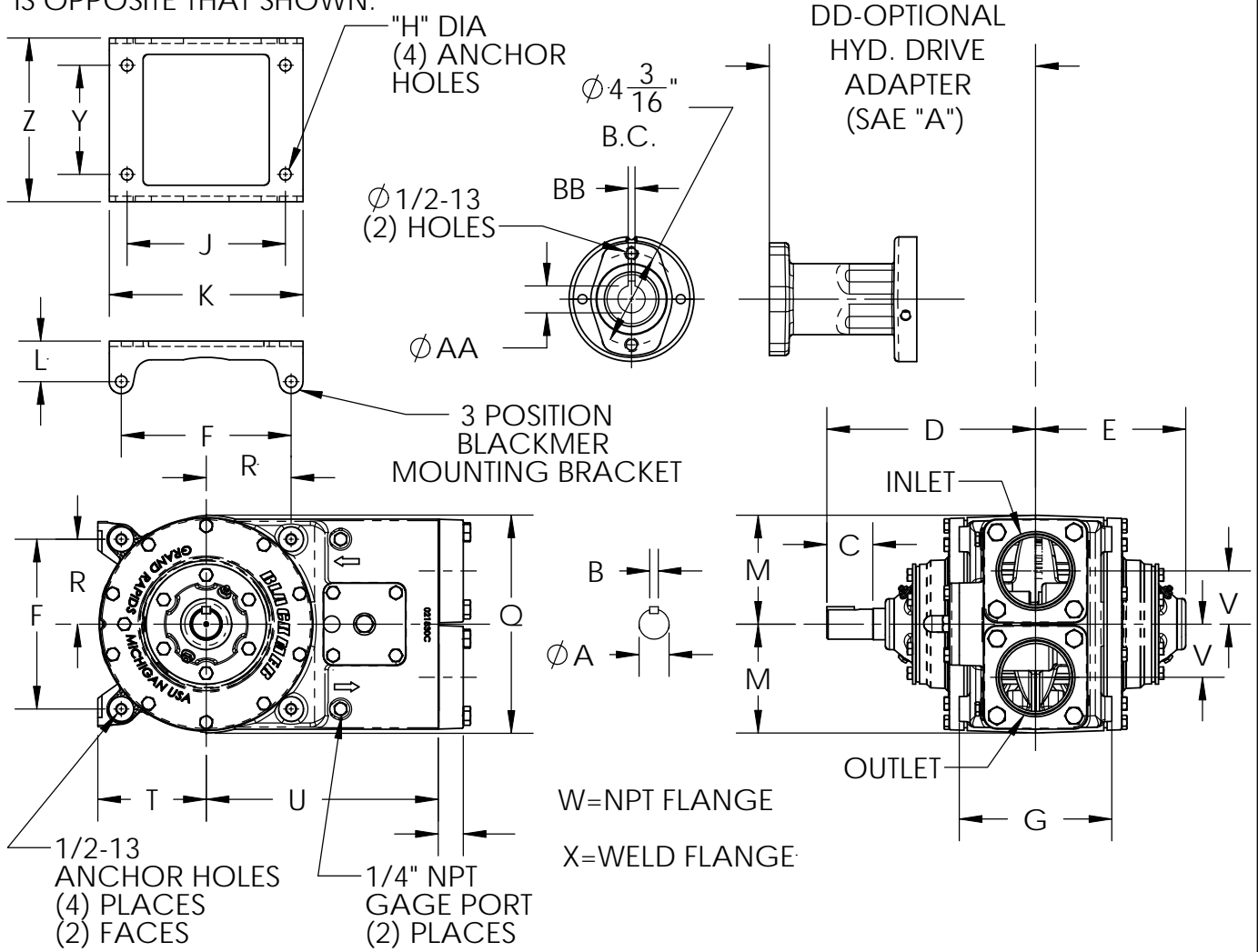


www.blackmer.com

TYPE	SIZE	UNIT STYLE
TXH35A	3	PO

DIMENSIONS 201-119	
Section Effective Replaces Page 1 / 1	201 AUGUST 2009 NEW ISSUE

COUNTERCLOCKWISE ROTATION. FOR CLOCKWISE ROTATION, SHAFT PROJECTION IS OPPOSITE THAT SHOWN.



MOTOR			DIMENSIONS									
FRAME SIZE		UNITS	A	B	C	D	E	F	G	H	J	K
		IN	1 3/8	25/64	2 1/8	9 9/16	6 7/8	7 25/32	7	17/32	7 1/4	8 7/8
		MM	35	10	53,9	242,9	174,6	197,6	177,8	13,5	184,2	225,4
			L	M	N	P	Q	R	S	T	U	V
		IN	1 7/8	5	—	—	10	3 7/8	—	4 31/32	10 5/8	2 7/16
		MM	47,6	127	—	—	254	98,4	—	126,2	269,9	61,9
			W	X	Y	Z	AA	BB	CC	DD	EE	FF
		IN	1 5/32	1 1/4	5	7 1/2	1 1/4	5/16	—	12 3/32	—	—
		MM	29,2	31,81	127	190,5	31,8	7,9	—	307	—	—
			PUMP WEIGHT		WITH STD FLANGES							
			LBS		170							
			KG		77							