



# The MX12 Project

Performance Towards Excellence

## Advantages:



Compact design with the reliability of the Mouvex® Typhon II



Cardan angle reduction



Compatible with 6x2 trucks, considering an intra-frame assembly



The lightest compressor on the market in its category – 110 kg (242 lbs)



Reduced fuel consumption (lower inlet speed)



Modular design: Easy to repair, modify, or upgrade



Flow rate up to 1,130 m<sup>3</sup>/h



Cooling ensured by an oil radiator

## Applications:

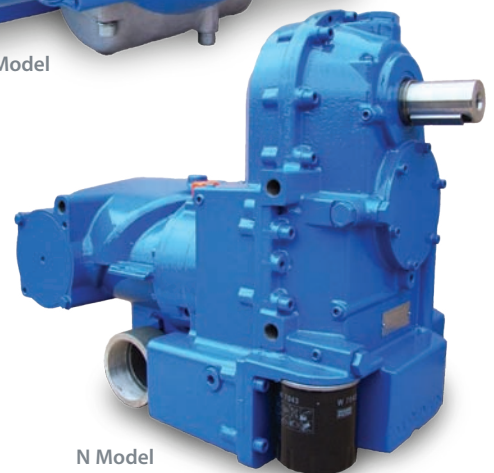
- Plastics
- Gravel
- Animal Food
- Cereals

## Mouvex® MX12 Screw Compressor

The Excellent Solution for  
Mounting Inside the Truck Frame



S Model



N Model

# mx12

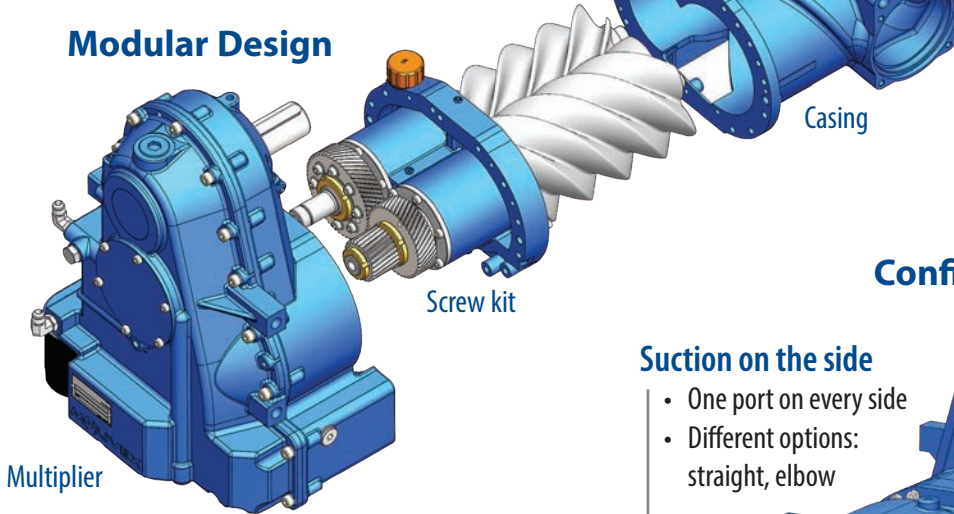
Where Innovation Flows





# MX12 Screw Compressor

## Modular Design



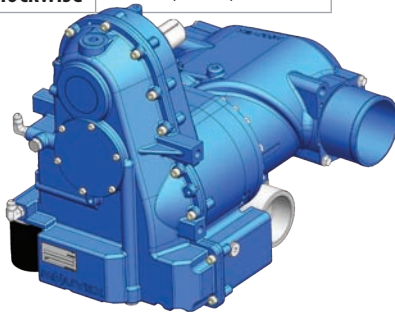
Multiplier

Screw kit

Casing

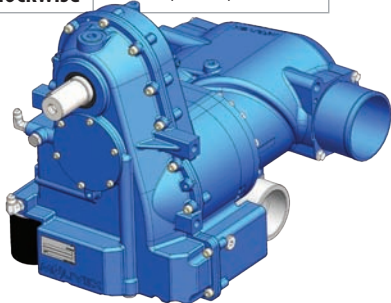
## PTO Driven (S)

Rotation Direction	Inlet Speed (rpm)
Clockwise	1,500 - 2,000
Counter-Clockwise	1,800 - 2,400



## External Engine Driven (N)

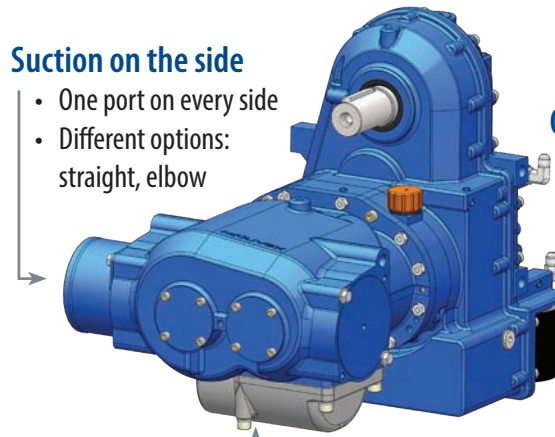
Rotation Direction	Inlet Speed (rpm)
Clockwise	1,800 - 2,400
Counter-Clockwise	1,500 - 2,000



## Configuration

### Suction on the side

- One port on every side
- Different options: straight, elbow

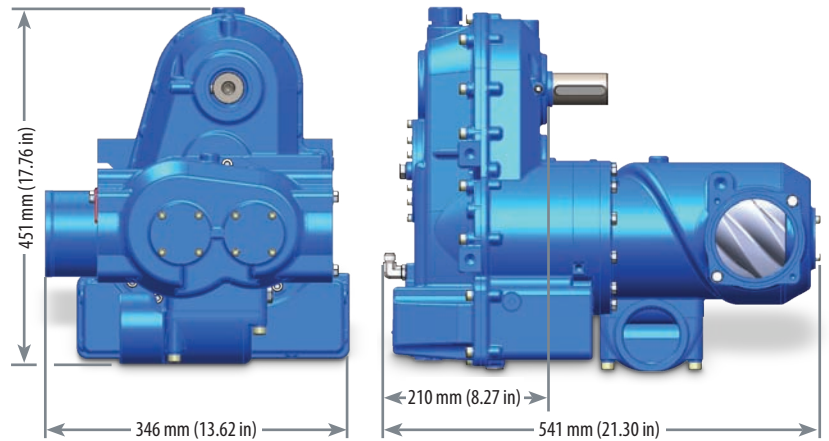


### Oil filter

- Cleanliness of the Oil

### Discharge at the bottom

## Dimensions



MOVEX® reserves the right to modify the information and illustrations contained in this document without prior notice. This is a non-contractual document. 09-2018



ZI la Plaine des Isles • 2 rue des Caillottes  
 F-89000 AUXERRE - FRANCE  
 Tel: + 33.3.86.49.86.30 • Fax: + 33.3.86.46.42.10  
 contact@mouvex.com  
 mouvex.com

Authorized PSG® Partner: